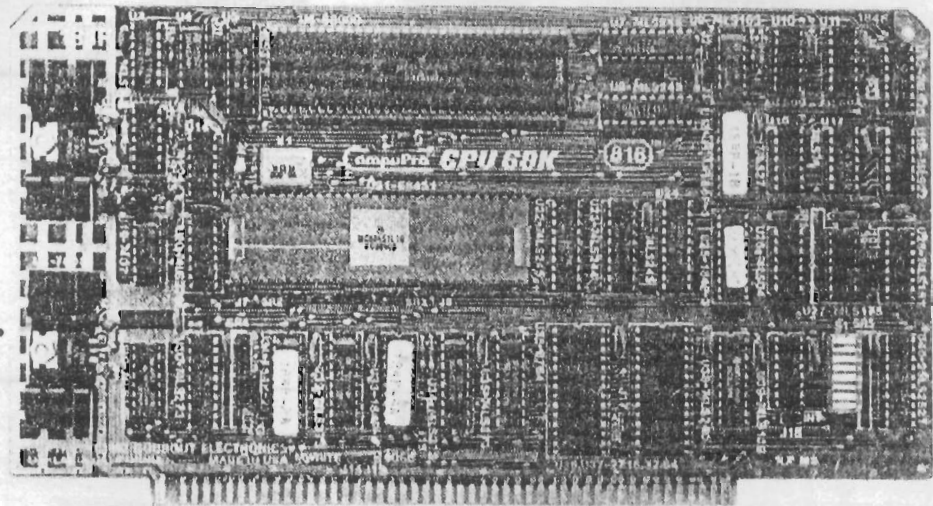


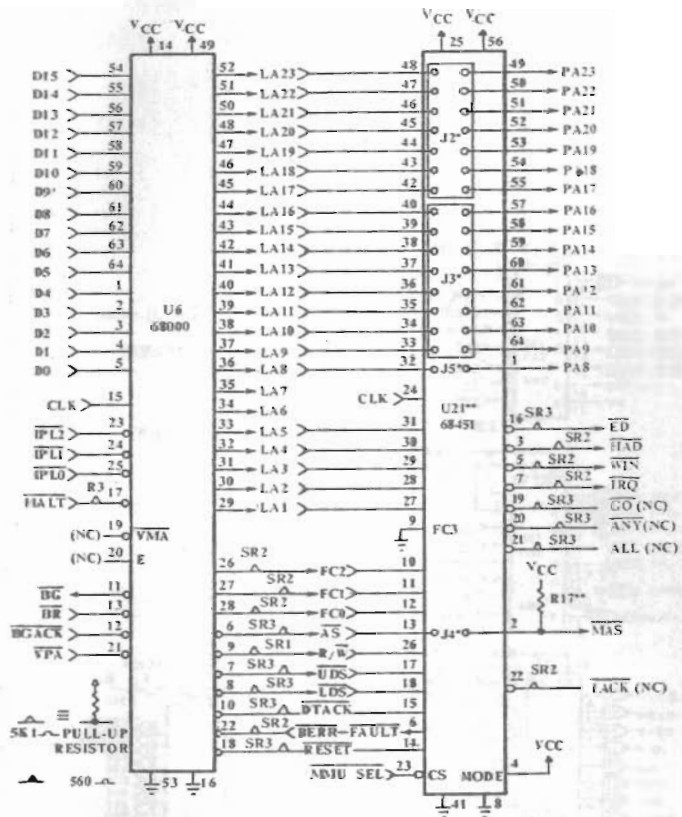
# CPU 68K

## Technical Manual



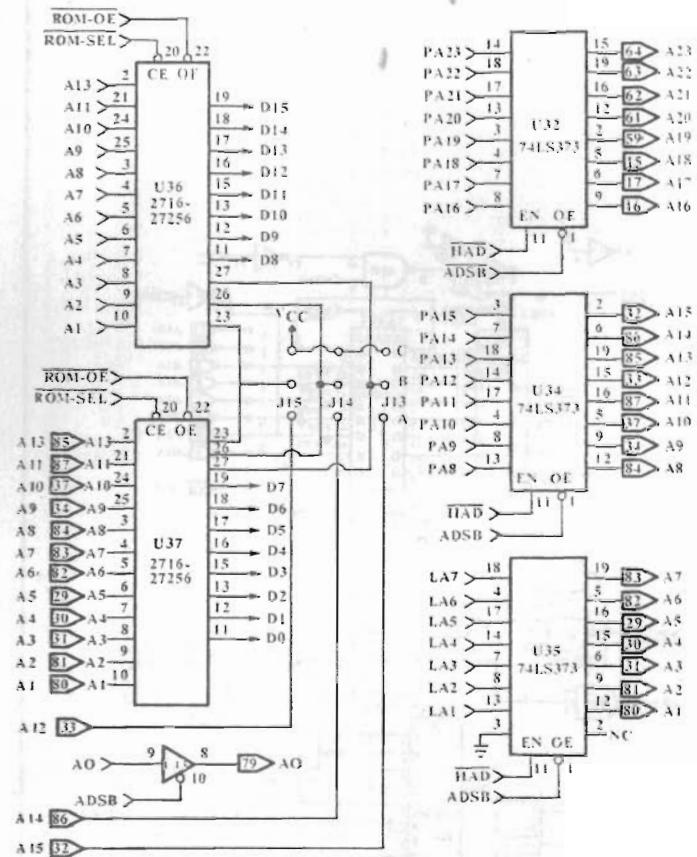
16 BIT 68000

WITH PROVISIONS FOR MMU AND UP TO 64K BYTES OF ROM

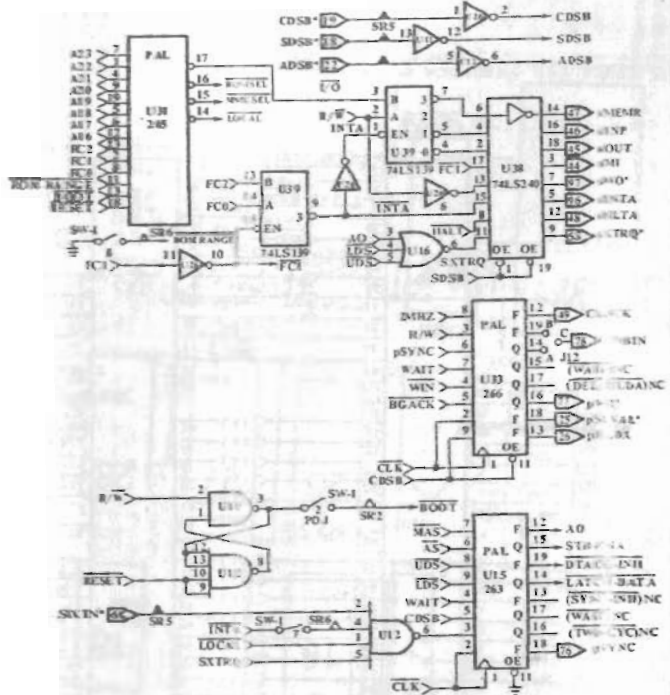


\* JUMPER IF MMU IS NOT USED  
 \*\* NEEDED ONLY WITH MMU  
 NC NO CONNECTION

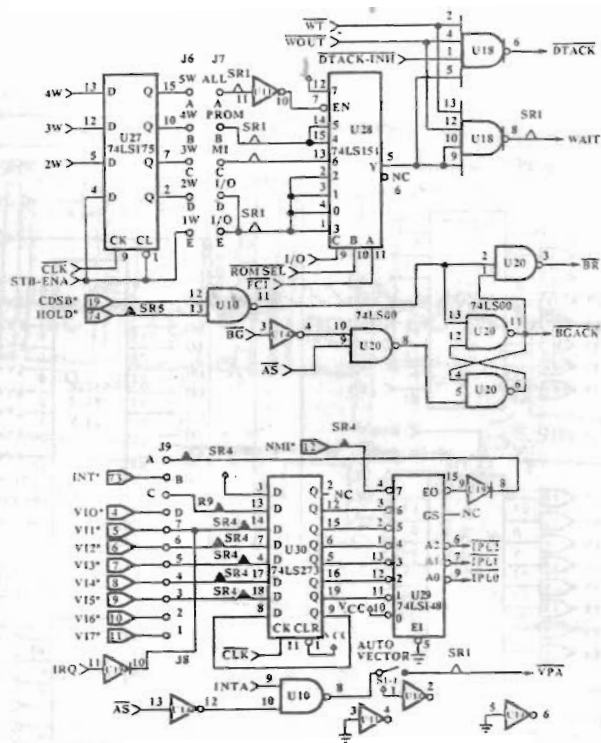
CPU 68K  
 184H  
 Viasyn Corporation © 1985



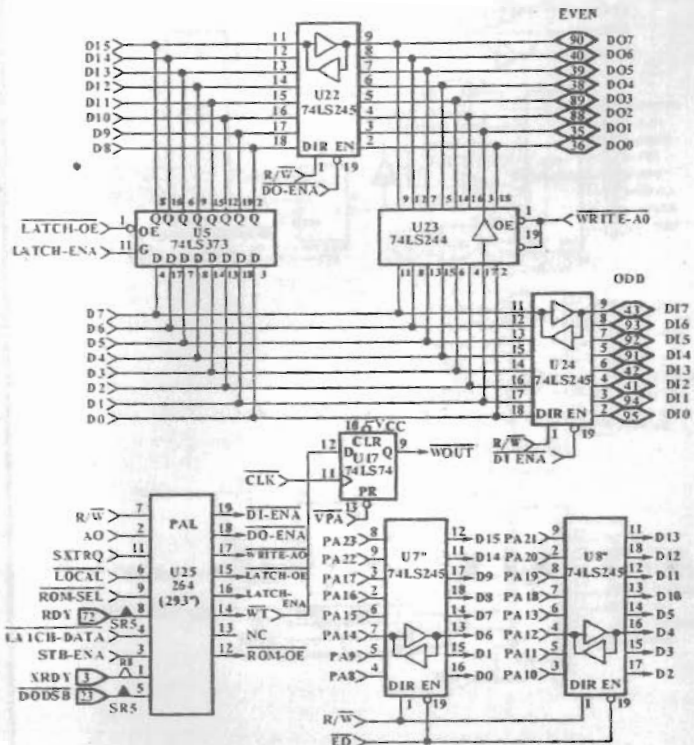
CPU 68K  
 184H  
 Viasyn Corporation © 1985



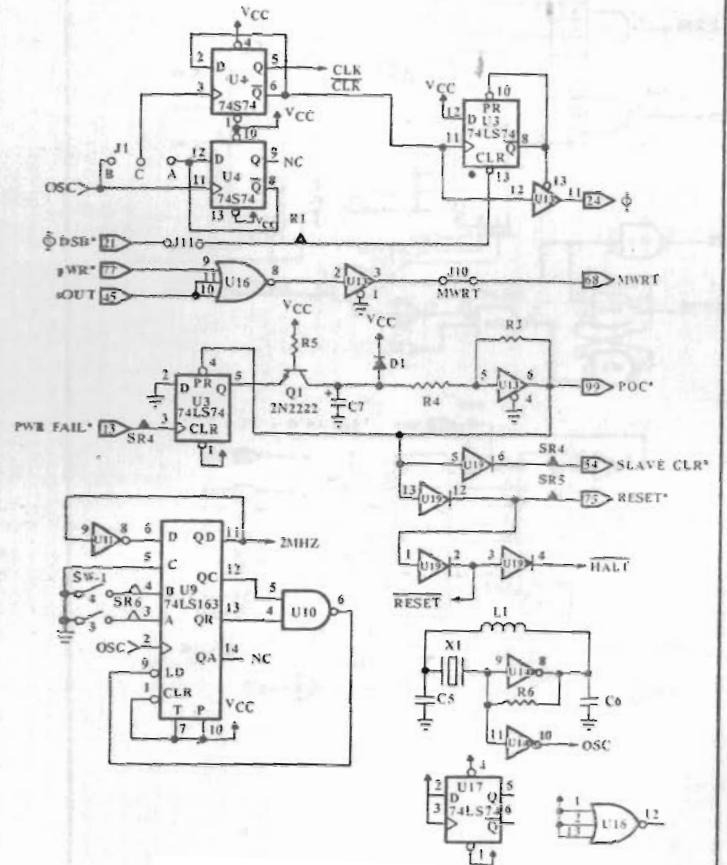
CPU 68K  
184H  
Viasyn Corporation © 1985



CPU 68K  
184H  
Viasyn Corporation © 1985

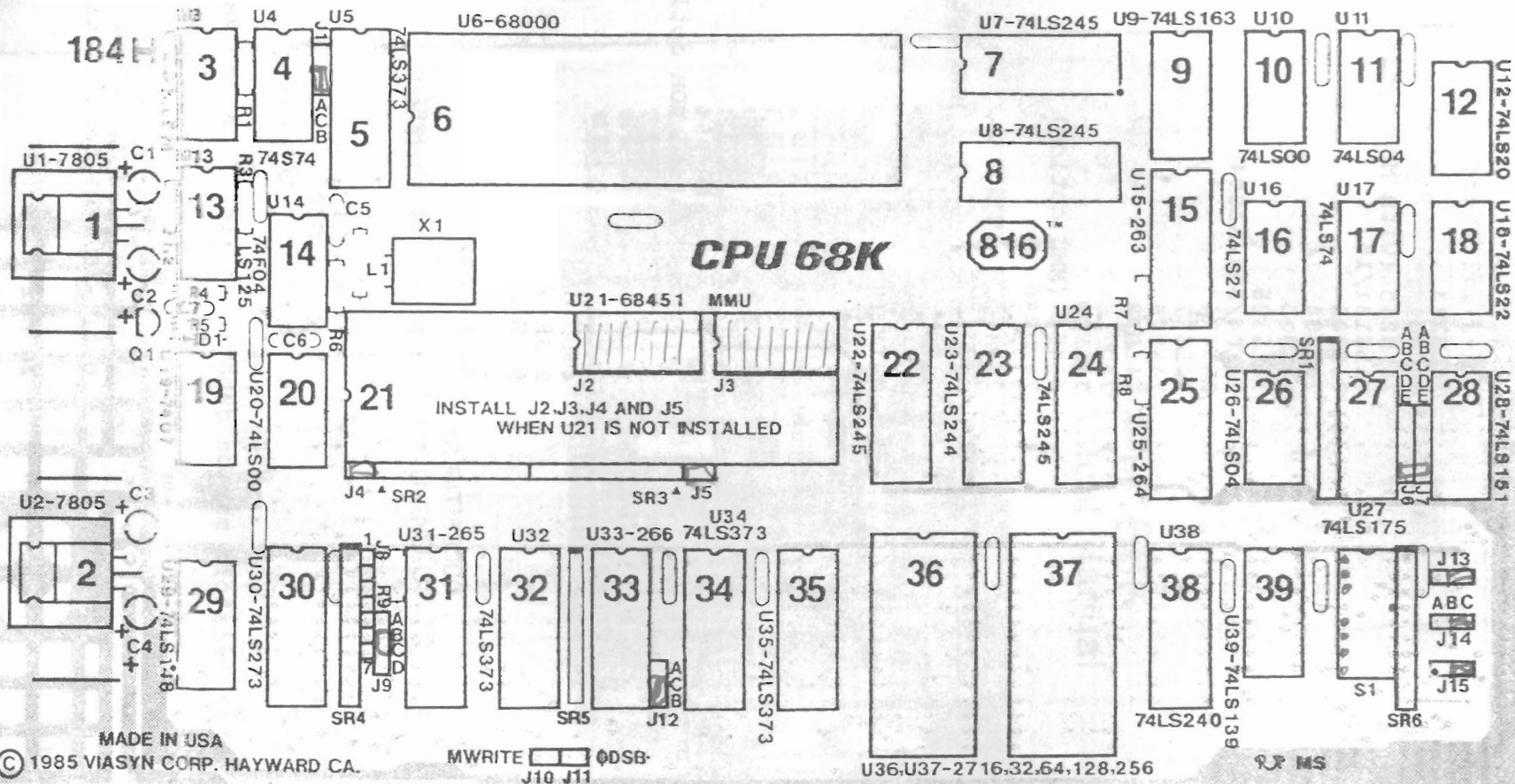


CPU 68K  
184H  
Viasyn Corporation © 1985



CPU 68K  
184H  
Viasyn Corporation © 1985

COMPONENT LAYOUT



MADE IN USA

© 1985 VIASYN CORP. HAYWARD CA.

MWRITE  DSB

U36, U37-2716, 32, 64, 128, 256

MS