

Interfacing the DP8420A/21A/22A to the 68000/008/010

National Semiconductor
Application Note 538
Joe Tate and Rusty Meier
May 1989



Interfacing the DP8420A/21A/22A to the 68000/008/010

INTRODUCTION

This application note explains interfacing the DP8420A/21A/22A DRAM controller to the 68000. Three different designs are shown and explained. It is assumed that the reader is familiar with the 68000 access cycles and the DP8420A/21A/22A modes of operation. This application note also applies to the 68010.

DESIGN # 1 DESCRIPTION

Design # 1 is a simple circuit to interface the 68000 to the DP8420A/21A/22A and up to 32 Mbytes of DRAM. The DP8420A/21A/22A is operated in Mode 1. An access cycle begins when the 68000 places a valid address on the address bus and asserts the address strobe (\overline{AS}). Chip select (\overline{CS}) is generated by a 74AS138 decoder. If a refresh or Port B access (DP8422A only) is not in progress, the DP8420A/21A/22A will assert the proper \overline{RAS} depending on the bank select inputs (B0, B1). After guaranteeing the programmed value of row address hold time the DP8420A/21A/22A will switch the DRAM address (Q0-8, 9, 10) to the column address and assert \overline{CAS} . By this time, the 74AS245's have been enabled and the DRAMs place their data on the data bus. The DP8420A/21A/22A also asserts \overline{DTACK} which is used to generate \overline{DTACK} to the 68000 to complete the access.

If a refresh or Port B access had been in progress, the DP8420A/21A/22A would have delayed the 68000's access by inserting wait states into the access cycle until the refresh or Port B access was complete and the programmed amount of precharge time was met. This circuit can run up to 10 MHz with 0 wait states, with two or more banks. For 10 MHz, zero wait states with one bank, see design # 2.

Timing parameters are referenced to the numbers shown in the DP8420A/21A/22A data sheet timing parameters. Numbered times starting with a "\$" refer to the DP8420A/21A/22A timing parameters. Numbered times starting with "#" refer to the 68000 data sheet. Equations have been given to allow the user to calculate timing based on his frequency and application. The clock is at 10 MHz, a multiple of 2 MHz, allowing it to be tied directly to DELCLK. If DELCLK is not a multiple of 2 MHz, \overline{ADS} to \overline{CAS} must be recalculated.

DESIGN # 1 TIMING AT 10 MHz AND 8 MHz

Clock Period = T_{cp10} = 100 ns @ 10 MHz
= T_{cp8} = 125 ns @ 8 ns

\$400b: \overline{ADS} Asserted Setup to CLK High
= Clock Period - CLK High to \overline{AS} Asserted
= T_{cp10} - #9
= 100 ns - 55 ns

= 45 ns @ 10 MHz

= T_{cp8} - #9
= 125 ns - 60 ns

= 65 ns @ 8 MHz

\$401: \overline{CS} Setup to \overline{ADS} Asserted
= 68000 Address to \overline{AS} Max
- 74AS138 Decoder
= #11 - T_{phl} Max
= 20 ns - 9 ns

= 11 ns @ 10 MHz

= #11 - T_{phl}
= 30 ns - 9 ns

= 21 ns @ 8 MHz

\$407 & \$404: Address Valid Setup to \overline{ADS} Asserted
= 68000 Address to \overline{AS} Max
= #11 Max

= 20 ns @ 10 MHz

= #11 Max

= 30 ns @ 8 MHz

\$405: \overline{ADS} Negated Held from CLK High
= 68000 CLK High to \overline{AS} Asserted Min
= #10 Min

= 0 ns @ 10 MHz

= #10 Min

= 0 ns @ 8 MHz

#47: \overline{DTACK} Setup Time
= $\frac{1}{2}$ Clock Period
- Clock to \overline{DTACK} Asserted
= $\frac{1}{2} T_{cp10}$ - \$18
= 50 ns - 28 ns

= 22 ns @ 10 MHz

**Using 8420-25

= $\frac{1}{2} T_{cp8}$ - \$18

= 62.5 ns - 33 ns

= 29.5 ns @ 8 MHz

**Using 8420-25

\overline{RAS} LOW DURING REFRESH

tRAS = Programmed Clock
- [(CLK High to Refresh \overline{RAS} Asserted)
- (CLK High to Refresh \overline{RAS} Negated)]

= T_{cp10} + T_{cp10} - \$55
= 100 ns + 100 ns - 6 ns

= 194 ns @ 10 MHz

= T_{cp8} + T_{cp8} - \$55
= 125 ns + 125 ns - 6 ns

= 244 ns @ 8 MHz

RAS PRECHARGE PARAMETERS**

$$\begin{aligned}tRP &= (\text{Programmed Clocks} - 1) \\ &\quad - [(\overline{\text{AREQ}} \text{ to } \overline{\text{RAS}} \text{ Negated}) \\ &\quad - (\text{CLK to } \overline{\text{RAS}} \text{ Asserted})] \\ &= \text{Tcp10} - \$50 \\ &= 100 \text{ ns} - 16 \text{ ns} \\ &= \mathbf{84 \text{ ns @ 10 MHz}} \\ &= \text{Tcp8} - \$50 \\ &= 125 \text{ ns} - 16 \text{ ns} \\ &= \mathbf{109 \text{ ns @ 8 MHz}}\end{aligned}$$

**To gain more precharge program 3t or use design #2.

tRAC AND tCAC FOR DRAMS

Timing is supplied for the system shown in *Figure 1*. (see *Figures 2, 3 and 4*). Since systems and DRAM times vary, the user is encouraged to change the following equations to match his system requirements. Timing has been supplied for systems with 0 or 1 wait state. If DELCLK is not a multiple of 2 MHz, the timing for tRAH and tASC will increase or decrease according to the equations given in the data sheet. The $\overline{\text{ADS}}$ to $\overline{\text{RAS}}$ and $\overline{\text{ADS}}$ to $\overline{\text{CAS}}$ will also have to be changed depending on the capacitance of the DRAM array.

0 Wait States

$$\begin{aligned}tRAC &= s2 + s3 + s4 + s5 + s6 - \text{CLK to } \overline{\text{AS}} \\ &\quad \text{Asserted Max} - \overline{\text{ADS}} \text{ Asserted to } \overline{\text{RAS}} \\ &\quad \text{Asserted} - 74\text{AS245 Delay Max} \\ &\quad - 68000 \text{ Data Setup Min} \\ &= 2\frac{1}{2} \text{ Tcp10} - \#9 - \$402 \\ &\quad - \text{Tphl Max} - \#27 \\ &= 250 \text{ ns} - 55 \text{ ns} - 35 \text{ ns} - 7 \text{ ns} \\ &\quad - 10 \text{ ns} \\ &= \mathbf{143 \text{ ns @ 10 MHz}} \quad \text{Using 8420-20} \\ &\quad \text{w/Heavy Load} \\ &= 2\frac{1}{2} \text{ Tcp8} - \#9 - \$402 \\ &\quad - \text{Tphl Max} - \#27 \\ &= 312.5 \text{ ns} - 60 \text{ ns} - 35 \text{ ns} \\ &\quad - 7 \text{ ns} - 15 \text{ ns} \\ &= \mathbf{195 \text{ ns @ 8 MHz}} \quad \text{Using 8420-20} \\ &\quad \text{w/Heavy Load}\end{aligned}$$

1 Wait State

$$\begin{aligned}tRAC &= s2 + s3 + s4 + sw + sw + s5 + s6 \\ &\quad - \text{CLK to } \overline{\text{AS}} \text{ Asserted Max} - \overline{\text{ADS}} \\ &\quad \text{Asserted to } \overline{\text{RAS}} \text{ Asserted} - 74\text{AS245} \\ &\quad \text{Delay Max} - 68000 \text{ Data Setup Min} \\ &= 3\frac{1}{2} \text{ Tcp10} - \#9 - \$402 - \text{Tphl} \\ &\quad \text{Max} - \#27 \\ &= 350 \text{ ns} - 55 \text{ ns} - 35 \text{ ns} - 7 \text{ ns} \\ &\quad - 10 \text{ ns} \\ &= \mathbf{243 \text{ ns @ 10 MHz}} \quad \text{Using 8420-20} \\ &\quad \text{w/Heavy Load} \\ &= 3\frac{1}{2} \text{ Tcp8} - \#9 - \$402 \\ &\quad - \text{Tphl Max} - \#27 \\ &= 437.5 \text{ ns} - 60 \text{ ns} - 35 \text{ ns} - 7 \text{ ns} \\ &\quad - 15 \text{ ns} \\ &= \mathbf{320 \text{ ns @ 8 MHz}} \quad \text{Using 8420-20} \\ &\quad \text{w/Heavy Load}\end{aligned}$$

0 Wait States

$$\begin{aligned}tCAC &= s2 + s3 + s4 + s5 + s6 - \text{CLK to } \overline{\text{AS}} \\ &\quad \text{Asserted Max} - \overline{\text{ADS}} \text{ Asserted to } \overline{\text{CAS}} \\ &\quad \text{Asserted} - 74\text{AS245 Delay Max} \\ &\quad - 68000 \text{ Data Setup Min} \\ &= 2\frac{1}{2} \text{ Tcp10} - \#9 - \$403a \\ &\quad - \text{Tphl Max} - \#27 \\ &= 250 \text{ ns} - 55 \text{ ns} - 94 \text{ ns} - 7 \text{ ns} \\ &\quad - 10 \text{ ns} \\ &= \mathbf{84 \text{ ns @ 10 MHz}} \quad \text{Using 8420-20} \\ &\quad \text{w/Heavy Load} \\ &= 2\frac{1}{2} \text{ Tcp8} - \#9 - \$403a \\ &\quad - \text{Tphl Max} - \#27 \\ &= 312.5 \text{ ns} - 60 \text{ ns} - 94 \text{ ns} - 7 \text{ ns} \\ &\quad - 15 \text{ ns} \\ &= \mathbf{136 \text{ ns @ 8 MHz}} \quad \text{Using 8420-20} \\ &\quad \text{w/Heavy Load}\end{aligned}$$

1 Wait State

$$\begin{aligned}tCAC &= s2 + s3 + s4 + sw + sw + s6 - \text{CLK} \\ &\quad \text{to } \overline{\text{AS}} \text{ Asserted Max} - \overline{\text{ADS}} \text{ Asserted} \\ &\quad \text{to } \overline{\text{CAS}} \text{ Asserted} - 74\text{AS245 Delay} \\ &\quad \text{Max} - 68000 \text{ Data Setup Min} \\ &= 3\frac{1}{2} \text{ Tcp10} - \#9 - \$403a \\ &\quad - \text{Tphl Max} - \#27 \\ &= 350 \text{ ns} - 55 \text{ ns} - 94 \text{ ns} \\ &\quad - 7 \text{ ns} - 10 \text{ ns} \\ &= \mathbf{184 \text{ ns @ 10 MHz}} \quad \text{Using 8420-20} \\ &\quad \text{w/Heavy Load} \\ &= 3\frac{1}{2} \text{ Tcp8} - \#9 - \$403a \\ &\quad - \text{Tphl Max} - \#27 \\ &= 437.5 \text{ ns} - 60 \text{ ns} - 94 \text{ ns} \\ &\quad - 7 \text{ ns} - 15 \text{ ns} \\ &= \mathbf{261 \text{ ns @ 8 MHz}} \quad \text{Using 8420-20} \\ &\quad \text{w/Heavy Load}\end{aligned}$$

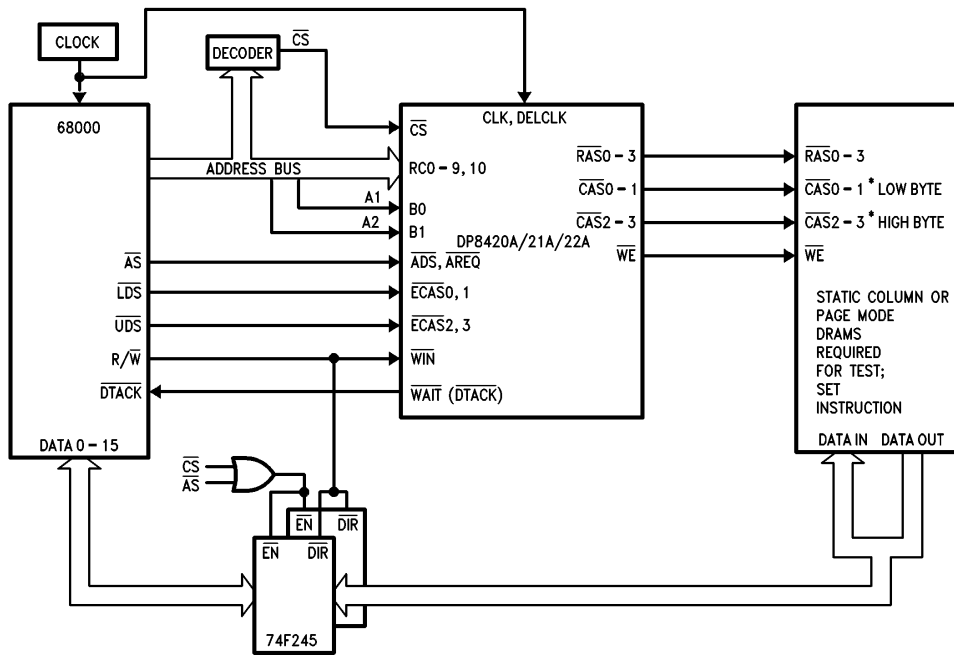


FIGURE 1. 68000 Design # 1

TL/F/9732-1

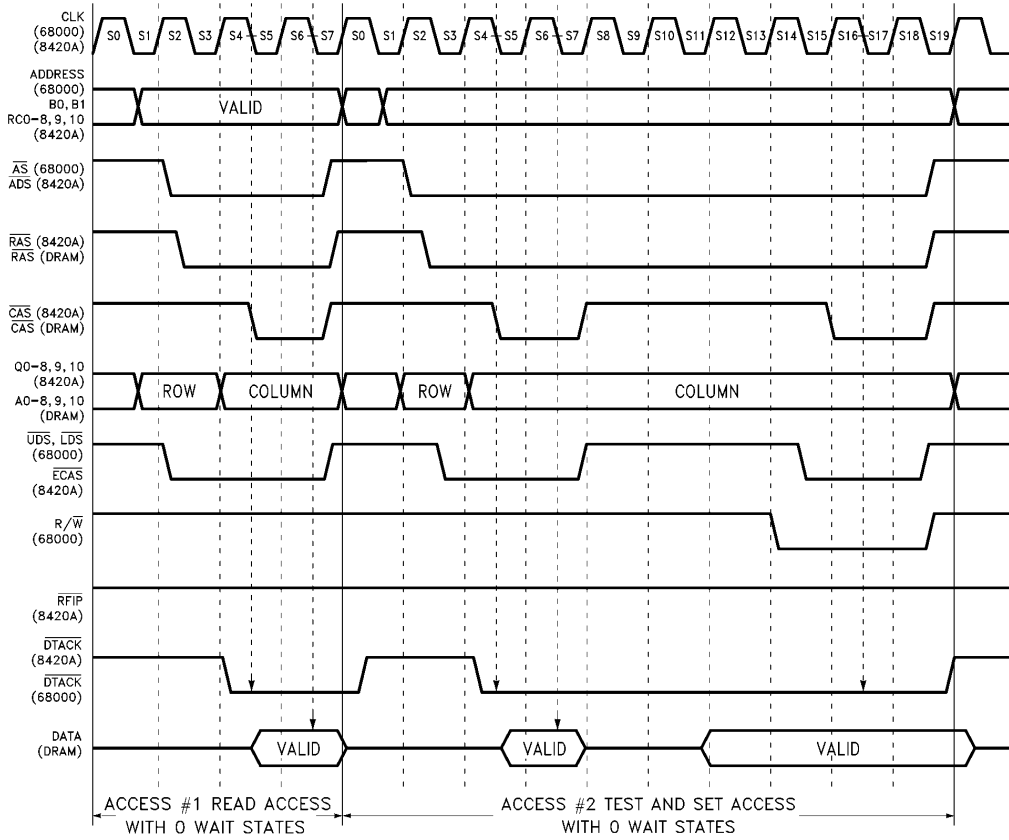
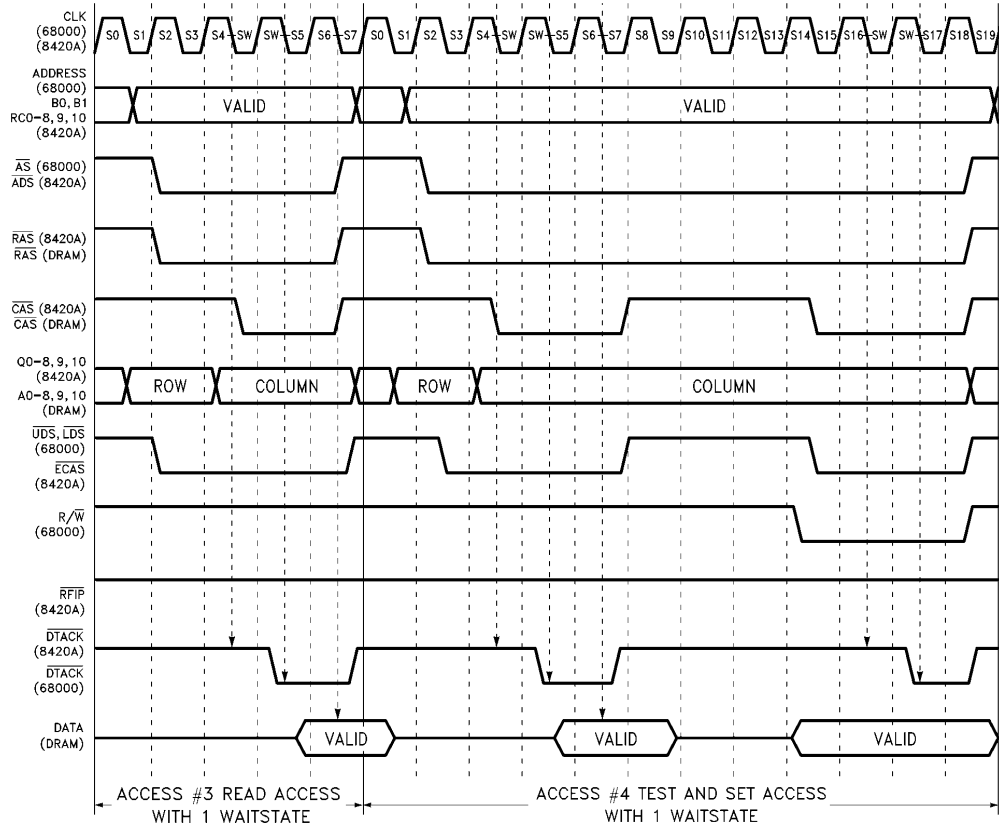


FIGURE 2. 68000 Design # 1 Timing

TL/F/9732-2



TL/F/9732-3

FIGURE 3. 68000 Design # 1 Timing

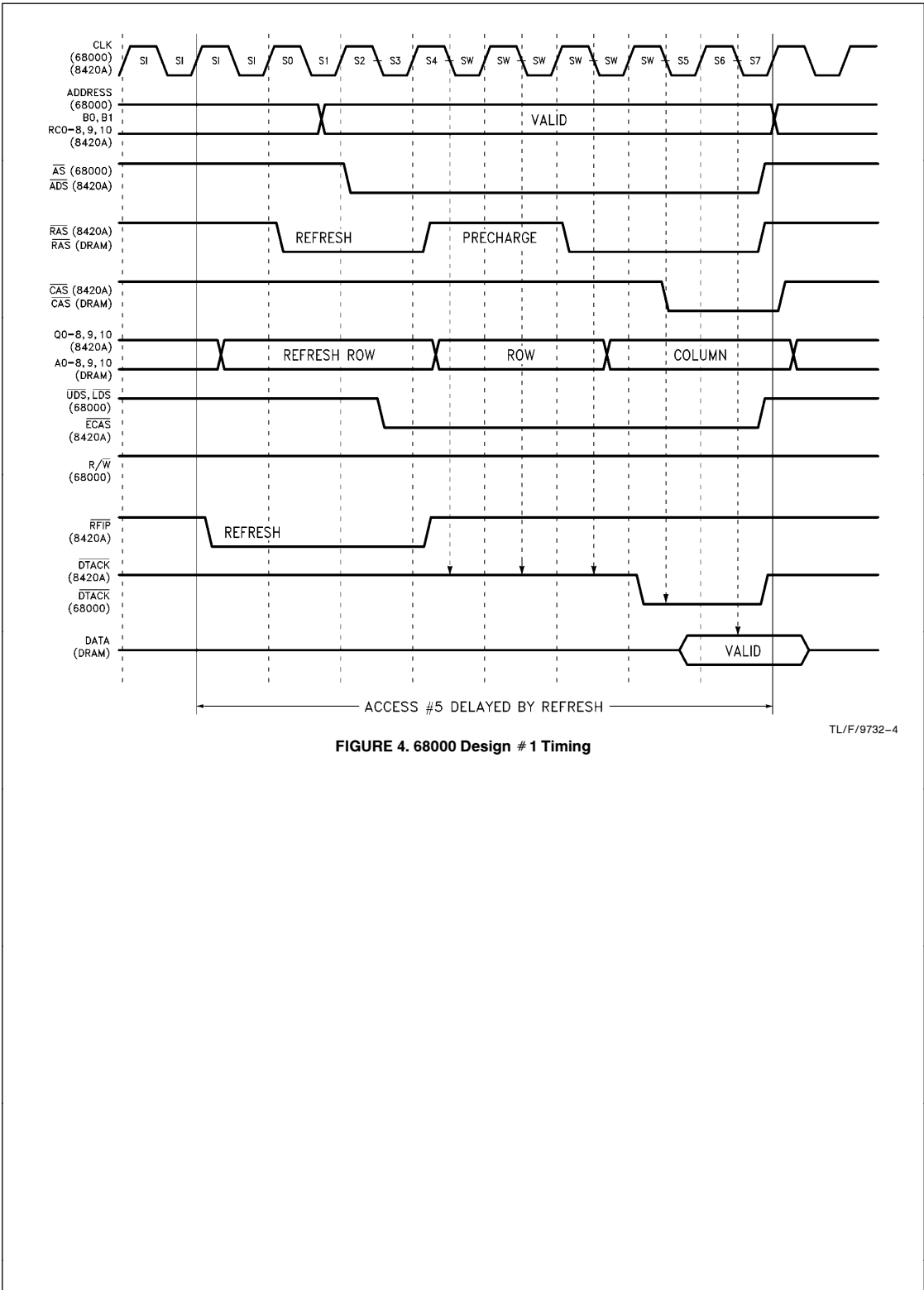


FIGURE 4. 68000 Design # 1 Timing

TL/F/9732-4

DESIGN #2 DESCRIPTION

Design #2 differs from Design #1 in that the 68000 can be run up to 12.5 MHz. This design can also run with no wait states at 10 MHz if only one bank of DRAM is being used. A latch must be used with the 68000 address strobe to guarantee the address setup to \overline{ADS} asserted requirement of the DP8420A/21A/22A. Again, the DP8420A/21A/22A is operated in Mode 1.

An access cycle begins when the 68000 places a valid address on the address bus at the beginning of processor state s1. At processor state s2, the 68000 asserts the address strobe, \overline{AS} . This signal is qualified with CLK low to set a latch. The output of this latch produces the signal \overline{ADS} to the DP8420A/21A/22A. When the signal \overline{ADS} is asserted on the DP8420A/21A/22A, the chip will assert \overline{RAS} . After guaranteeing the row address hold time, the 8420A/21A/22A will place the column address to the DRAM address bus. After guaranteeing the column address setup time, the DP8420A/21A/22A will assert \overline{CAS} . After time tCAC has passed, the DRAM will place its data on the data bus. The 8420A/21A/22A will assert the \overline{DTACK} output allowing the bus cycle to end.

If a refresh of a Port B access had been in progress, the access would have been delayed by inserting wait states in the Port A access cycle.

DESIGN #2 TIMING AT 12.5 MHz

Clock Period = T_{cp12} 80 ns @ 12.5 MHz

\$400b: \overline{ADS} Asserted Setup to CLK High

$$\begin{aligned} &= \text{Clock Period} + \frac{1}{2} \text{Clock Period} \\ &\quad + 74AS04 \text{ Delay Min} + 74AS04 \\ &\quad \text{Delay Min} - \text{Clock to AS Asserted Max} \\ &\quad - 74AS04 \text{ Delay Min} - 74AS02 \\ &\quad \text{Delay Max} - 74AS02 \text{ Delay Max} \\ &= T_{cp12} + \frac{1}{2} T_{cp12} + T_{phl} \text{ Min} \\ &\quad + T_{phl} \text{ Min} - \#9 - T_{phl} \text{ Min} \\ &\quad - T_{phl} \text{ Max} - T_{phl} \text{ Max} \\ &= 80 \text{ ns} + 40 \text{ ns} + 1 \text{ ns} + 1 \text{ ns} - 55 \text{ ns} \\ &\quad - 1 \text{ ns} - 4.5 \text{ ns} - 4.5 \text{ ns} \\ &= \mathbf{57 \text{ ns @ 12.5 MHz}} \end{aligned}$$

\$401: \overline{CS} Setup to \overline{ADS} Asserted

$$\begin{aligned} &= \text{Clock Period} + 74AS04 \text{ Delay Min} \\ &\quad + 74AS04 \text{ Delay Min} + 74AS02 \\ &\quad \text{Delay Min} + 74AS02 \text{ Delay Min} \\ &\quad - 74AS04 \text{ Delay Min} - \text{Clock} \\ &\quad \text{to ADR Max} - 74AS138 \text{ Delay Max} \\ &= T_{cp12} + T_{phl} \text{ Min} + T_{phl} \text{ Min} \\ &\quad + T_{phl} \text{ Min} + T_{phl} \text{ Min} - T_{phl} \text{ Min} \\ &\quad - \#6 - T_{phl} \text{ Max} \\ &= 80 \text{ ns} + 1 \text{ ns} + 1 \text{ ns} + 1 \text{ ns} + 1 \text{ ns} \\ &\quad - 1 \text{ ns} - 55 \text{ ns} - 9 \text{ ns} \\ &= \mathbf{19 \text{ ns @ 12.5 MHz}} \end{aligned}$$

\$407 & \$404: Address Valid to \overline{ADS} Asserted

$$\begin{aligned} &= \text{Clock Period} + 74AS04 \text{ Delay Min} \\ &\quad + 74AS04 \text{ Delay Min} + 74AS02 \\ &\quad \text{Delay Min} + 74AS02 \text{ Delay Min} \\ &\quad - \text{Clock to ADR Max} - 74AS04 \text{ Min} \\ &= T_{cp12} + T_{phl} + T_{phl} + T_{phl} + T_{phl} \\ &\quad - \#6 - T_{phl} \\ &= 80 \text{ ns} + 1 \text{ ns} + 1 \text{ ns} + 1 \text{ ns} + 1 \text{ ns} \\ &\quad - 55 \text{ ns} - 1 \text{ ns} \\ &= \mathbf{28 \text{ ns @ 12.5 MHz}} \end{aligned}$$

\$405: \overline{ADS} Negated Held from CLK High

$$\begin{aligned} &= \text{Min } 74AS04 + \text{Min } 74AS02 + \text{Min} \\ &\quad 74AS02 + \text{Min } 74AS04 \\ &\quad - \text{Min } 74AS04 \\ &= T_{phl} + T_{phl} + T_{phl} + T_{phl} - T_{phl} \\ &= 1 \text{ ns} + 1 \text{ ns} + 1 \text{ ns} + 1 \text{ ns} - 1 \text{ ns} \\ &= \mathbf{3 \text{ ns @ 12.5 MHz}} \end{aligned}$$

#47: DTACK Setup Time

$$\begin{aligned} &= 1 \text{ Clock Period} - \text{CLOCK skew (74AS04)} \\ &\quad - \text{Max Clock to DTACK} \\ &= T_{cp12} - T_{phl} \text{ Max} - \#18 \\ &= 80 \text{ ns} - 5 \text{ ns} - 28 \text{ ns} \\ &= \mathbf{47 \text{ ns @ 12.5 MHz}} \end{aligned}$$

\overline{RAS} LOW DURING REFRESH

t_{RAS} = Programmed Clock

$$\begin{aligned} &- [(\text{CLK High to Refresh } \overline{RAS} \text{ Asserted)} \\ &\quad - (\text{CLK High to Refresh } \overline{RAS} \text{ Negated})] \\ &= T_{cp12} + T_{cp12} - \#55 \\ &= 80 \text{ ns} + 80 \text{ ns} - 6 \text{ ns} \\ &= \mathbf{154 \text{ ns @ 12.5 MHz}} \end{aligned}$$

\overline{RAS} PRECHARGE PARAMETERS

t_{RP} = Programmed Clocks - Clock to \overline{AS} Negated - [(\overline{AREQ} to \overline{RAS} Negated) - (CLK to \overline{RAS} Asserted)]

$$\begin{aligned} &= T_{cp12} + T_{cp12} - \#50 \\ &= 80 \text{ ns} + 80 \text{ ns} - 16 \text{ ns} \\ &= \mathbf{144 \text{ ns @ 12.5 MHz}} \end{aligned}$$

\$29b: \overline{AREQ} Negated Setup to CLK

$$\begin{aligned} &= \text{Clock Period} + \text{Min CLOCK} \\ &\quad \text{Skew } 74AS04 - \text{Max } 74AS02 \\ &\quad - \text{Max } 74AS02 \\ &= T_{cp12} + T_{phl} + T_{phl} - T_{phl} \\ &= 80 \text{ ns} + 1 \text{ ns} - 4.5 \text{ ns} - 4.5 \text{ ns} \\ &= \mathbf{72 \text{ ns @ 12.5 MHz}} \end{aligned}$$

tRAC AND tCAC FOR DRAMS

Timing is supplied for the system shown in *Figure 5*. (See *Figures 6*). Since systems and DRAM times vary, the user is encouraged to change the following equations to match his system. Timing has been supplied for systems with 0 wait states and 1 bank of DRAM and 1 wait state and 4 banks of DRAM. If DELCLK is not a multiple of 2 MHz, the times of tRAH and tASC will increase or decrease according to the equations given in the data sheet. The ADS to RAS and ADS to CAS will also have to be changed depending on the capacitance of the DRAM array.

tRAC

0 wait states * does not use transceivers *

$$\begin{aligned} \text{tRAC} &= s2 + s3 + s4 + s5 + s6 - 74AS02 \\ &\quad \text{Max} - 74AS02 \text{ Max} - \text{Clock to AS} \\ &\quad \text{Max} - \overline{\text{ADS}} \text{ to } \overline{\text{RAS}} - \text{Data Setup} \\ &= 2\frac{1}{2} \text{Tcp12} - \text{Tphl} - \text{Tphl} \\ &\quad - \#9 - \$402 - \#27 \\ &= 200 - 4.5 \text{ ns} - 4.5 \text{ ns} - 55 \text{ ns} \\ &\quad - 25 \text{ ns} - 10 \text{ ns} \end{aligned}$$

$$= 101 \text{ ns @ } 12.5 \text{ MHz} \quad \text{**Using 8420-25 w/Light Load}$$

1 wait state * uses transceivers *

$$\begin{aligned} \text{tRAC} &= s2 + s3 + s4 + sw + sw + s5 + s6 \\ &\quad - 74AS02 \text{ Max} - 7AS02 \text{ Max} - \text{Clock} \\ &\quad \text{to } \overline{\text{AS}} \text{ Max} - \overline{\text{ADS}} \text{ to } \overline{\text{RAS}} - 74AS245 \\ &\quad \text{Delay} - \text{Data Setup} \\ &= 3\frac{1}{2} \text{Tcp12} - \text{Tphl} - \text{Tphl} \\ &\quad - \#9 - \$402 - \text{Tphl} - \#27 \\ &= 280 \text{ ns} - 4.5 \text{ ns} - 4.5 \text{ ns} - 55 \text{ ns} \\ &\quad - 29 \text{ ns} - 7 \text{ ns} - 10 \text{ ns} \end{aligned}$$

$$= 170 \text{ ns @ } 12.5 \text{ MHz}$$

tCAC

0 wait states * does not use transceivers *

$$\begin{aligned} \text{tCAC} &= s2 + s3 + s4 + s5 + s6 - 74AS02 \\ &\quad \text{Max} - 74AS02 \text{ Max} - \text{Clock to } \overline{\text{AS}} \\ &\quad \text{Max} - \overline{\text{ADS}} \text{ Asserted to } \overline{\text{CAS}} \\ &\quad - \text{Data Setup} \\ &= 2\frac{1}{2} \text{Tcp12} - \text{Tphl} - \text{Tphl} - \#9 \\ &\quad - \$403a - \#27 \\ &= 200 \text{ ns} - 4.5 \text{ ns} - 4.5 \text{ ns} - 55 \text{ ns} \\ &\quad - 75 \text{ ns} - 10 \text{ ns} \end{aligned}$$

$$= 51 \text{ ns @ } 12.5 \text{ MHz} \quad \text{*Using 8420-25 w/Light Load}$$

1 wait state * uses transceivers *

$$\begin{aligned} \text{tCAC} &= s2 + s3 + s4 + sw + sw + s5 + s6 \\ &\quad - 74AS02 \text{ Max Delay} - 74AS02 \text{ Max} \\ &\quad \text{Delay} - \text{Clock to } \overline{\text{AS}} \text{ Max} - \overline{\text{ADS}} \\ &\quad \text{Asserted to } \overline{\text{CAS}} - 74AS245 \text{ Data Setup} \\ &= 3\frac{1}{2} \text{Tcp12} - \text{Tphl} - \text{Tphl} - \#9 \\ &\quad - \$403a - \text{Tphl} - \#27 \\ &= 280 \text{ ns} - 4.5 \text{ ns} - 4.5 \text{ ns} - 55 \text{ ns} \\ &\quad - 75 \text{ ns} - 7 \text{ ns} - 10 \text{ ns} \end{aligned}$$

$$= 124 \text{ ns @ } 12.5 \text{ MHz}$$

DESIGN #2, 0 WAIT STATES DURING WRITE ACCESS

Design #2 can be modified to allow 0 wait states during writes. To accomplish this, the chip must be programmed with the same value except that bits R2, R3 and R6 are changed to:

$$R2 = 0 \quad \text{DTACK of 0T from RAS}$$

$$R3 = 0$$

$$R6 = 0 \quad \text{Hold off DTACK 1 extra clock period}$$

The hardware must be modified. The signal R/W from the 68000 is inverted and tied to the 8420 signal WAITIN. This ensures that a wait state will only be asserted during read accesses (see *Figure 6*).

0 waits during write access timing

RAS Low Time

$$\begin{aligned} \text{tRP} &= \text{Max } \overline{\text{AS}} \text{ Low} - \frac{1}{2} \text{Clock Period} \\ &\quad - 74AS02 \text{ Delay} - 74AS02 \text{ Delay} \\ &\quad + 74AS02 \text{ Delay} + 74AS02 \text{ Delay} \\ &\quad - [(\overline{\text{ADS}} \text{ Asserted to } \overline{\text{RAS}}) - (\overline{\text{AREQ}} \\ &\quad \text{Negated to } \overline{\text{RAS}} \text{ Negated})] \\ &= \#14 - \frac{1}{2} \text{Tcp12} - \text{Tphl} - \text{Tphl} + \text{Tphl} \\ &\quad + \text{Tphl} - \$52 \\ &= 160 \text{ ns} - 40 \text{ ns} - 0 \text{ ns} \end{aligned}$$

$$= 120 \text{ ns @ } 12.5 \text{ MHz}$$

CAS Low Time

$$\begin{aligned} \text{tCP} &= s2 + s3 + s4 + s5 + s6 - \text{Max CLK} \\ &\quad \text{to } \overline{\text{AS}} - 74AS02 - 74AS02 - \text{Max} \\ &\quad \overline{\text{AS}} \text{ to } \overline{\text{CAS}} + \text{Min CLK to DS} \\ &\quad + \text{Min ECAS to CAS} \\ &= 2\frac{1}{2} \text{Tcp12} - \#9 - \text{Tphl} - \text{Tphl} \\ &\quad - \$403a + \#12 + \$14 \\ &= 200 \text{ ns} - 55 \text{ ns} - 4.5 \text{ ns} - 4.5 \text{ ns} \\ &\quad - 82 \text{ ns} + 0 \text{ ns} + 0 \text{ ns} \end{aligned}$$

$$= 54 \text{ ns @ } 12.5 \text{ MHz}$$

Design #2 Programming Bits		
Bits	Description	Value
R0, R1	$\overline{\text{RAS}}$ Low Time = 2T $\overline{\text{RAS}}$ Precharge Time = 2T	R0 = 0 R1 = 1
R2, R3	$\overline{\text{DTACK}}$ Generation Modes for Non-Burst Accesses	R2 = 0 R3 = 1
R4, R5	$\overline{\text{DTACK}}$ Generation Modes for Burst Accesses	R4 = 0 R5 = 1
R6	Add Wait States with $\overline{\text{WAITIN}}$	R6 = 0
R7	$\overline{\text{DTACK}}$ Mode Select	R7 = 1
R8	Non Interleaved Mode	R8 = 1
R9	Staggered or All RAS REFRESH	R9 = u
C0, C1, C2	Divisor for DELCLK	C0 = u C1 = u C2 = u
C3	+ 30 REFRESH	C3 = 0
C4, C5, C6	$\overline{\text{RAS}}$, $\overline{\text{CAS}}$ Configuration Mode *Choose All $\overline{\text{CAS}}$ Mode	C4 = u C5 = u C6 = u
C7	Select 15 ns Column Address Setup	C7 = 1
C8	Select 15 ns Row Address Setup	C8 = 1
C9	CAS is Delayed to the Next Rising CLK Edge During Writes	C9 = 1
B0	The Row/Column Bank Latches Are Fall Through Mode	B0 = 1
B1	Access Mode 1	B1 = 1
$\overline{\text{ECAS0}}$	$\overline{\text{CAS}}$ Not Extended Beyond $\overline{\text{RAS}}$	$\overline{\text{ECAS0}}$ = 0

u = user defined
*see previous page for 0 WAIT STATES during writes

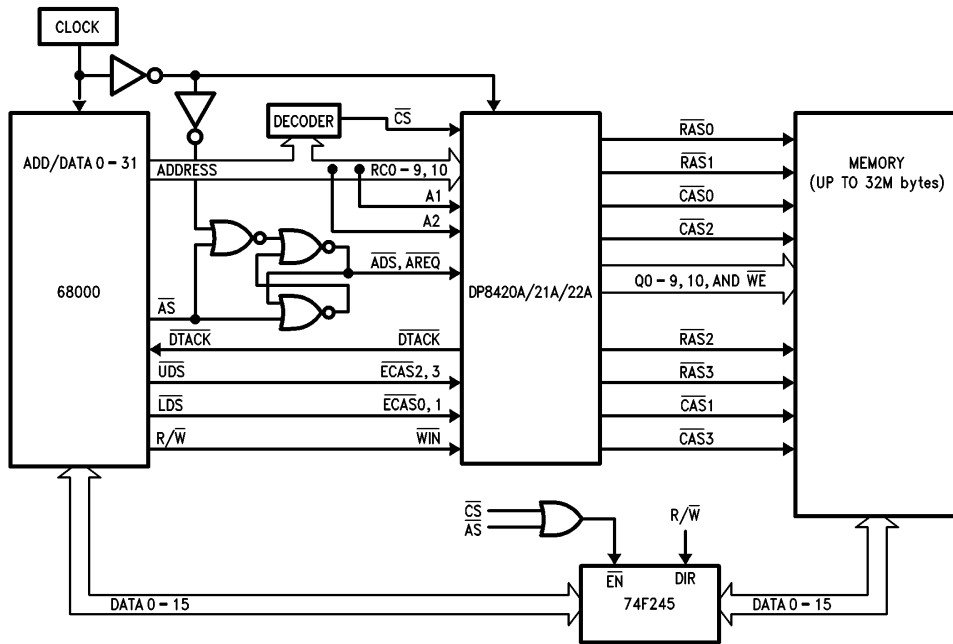
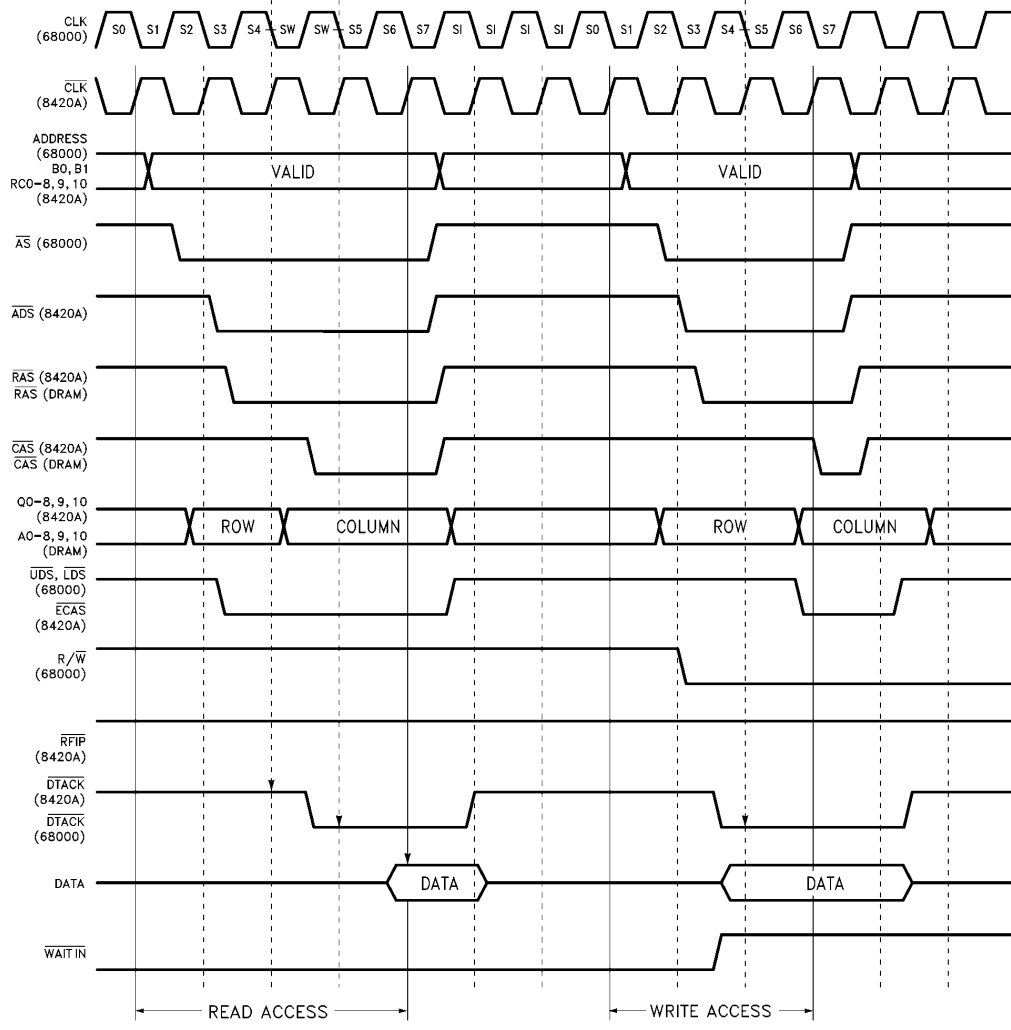


FIGURE 5. 68000 Design #2 up to 12.5 MHz

TL/F/9732-5



TL/F/9732-6

FIGURE 6. Design #2 Timing with Zero Wait States during Writes

DESIGN #3 DESCRIPTION

Design #3 is a simple circuit to interface the 68000 running @ 16 MHz to the DP8420A/21A/22A and up to 32 Mbytes of DRAM. The DP8420A/21A/22A is operated in Mode 1. An access cycle begins when the 68000 places a valid address on the address bus and asserts \overline{AS} . \overline{AS} is then clocked with a 74AS74 flip-flop. The output of the flip-flop is used to produce \overline{ADS} to the DP8420A/21A/22A.

Chip Select (\overline{CS}) is generated by a 74AS138 decoder. If a refresh or Port B access had been in progress, the 8420A/21A/22A would hold off the access by inserting wait states in the access cycle. The DP8420A/21A/22A will place the row address on the DRAM's address bus and assert \overline{RAS} . After guaranteeing the row address hold time, t_{RAH} , the DP8420A/21A/22A will place the column address on the DRAM's address bus and assert \overline{CAS} .

DESIGN #3 TIMING AT 16.667 MHz

Clock Period = T_{cp16} = 60 ns @ 16.667 MHz

\$400b: \overline{ADS} Asserted Setup to CLK High
 = Clock Period - 74AS74 Delay Max
 = T_{cp16} - T_{phl}
 = 60 ns - 9 ns

= 51 ns @ 16.667 MHz

\$401: \overline{CS} Asserted Setup to \overline{ADS} Asserted
 = $1\frac{1}{2}$ Clock Periods + Min 74AS74 Delay
 - Max Clock to Address
 - 74AS138 Delay
 = $1\frac{1}{2} T_{cp16}$ + T_{phl} - #6 - T_{phl}
 = 90 ns + 4.5 ns + 50 ns - 9 ns

= 35.5 ns @ 16.667 MHz

\$407 & \$404: Address Valid Setup to \overline{ADS} Asserted
 = $1\frac{1}{2}$ Clock Periods + Min 74AS74 Delay
 - Max Clock to Address
 = $1\frac{1}{2} T_{cp16}$ + T_{phl} - #6
 = 90 ns + 4.5 ns - 50 ns

= 44.5 ns @ 16.667 MHz

\$405: \overline{ADS} Negated Held from CLK High
 = Min 74AS74 Delay

= 4.5 ns @ 16.667 MHz

#47: DTACK Setup Time
 = Clock Period - 74AS74 Delay Max
 = T_{cp16} - T_{phl}
 = 60 ns - 9 ns

= 51 ns @ 16.667 MHz

\overline{RAS} LOW DURING REFRESH

t_{RAS} = Programmed Clocks
 - [(CLK High to Refresh \overline{RAS} Asserted)
 - (CLK High to Refresh \overline{RAS} Negated)]
 = T_{cp16} + T_{cp16} + T_{cp16}
 + T_{cp16} - \$55
 = 240 ns - 6 ns

= 234 ns @ 16.667 MHz

t_{RP} = (Programmed Clocks - 1) -
 [(\overline{AREQ} to \overline{RAS} Negated) -
 (CLK to \overline{RAS} Asserted)]
 = T_{cp16} + T_{cp16} - \$50
 = 120 ns - 16 ns

= 104 ns @ 16.667 MHz

\overline{RAS} PRECHARGE PARAMETERS

t_{RP} = Programmed Clocks - Clock to \overline{AS}
 Negated - [(\overline{AREQ} to \overline{RAS} Negated)
 - (CLK to \overline{RAS} Asserted)]

t_{RAC} AND t_{CAC} FOR DRAMS

Timing is supplied for the system shown in Figure 7. Since system and DRAM times vary, the user is encouraged to change the following equations to match his system requirements. Timing has been supplied for systems with 2 wait states. If \overline{DELCLK} is not a multiple of 2 MHz, the timing for t_{RAH} and t_{ASC} will increase or decrease according to the times given in the data sheet. The \overline{ADS} to \overline{RAS} and \overline{ADS} to \overline{CAS} will also have to be changed depending on the capacitance of the DRAM array.

1 wait state * using 1 BANK with no transceivers

t_{RAC} = s_4 + sw + sw + s_5 + s_6 - 74AS74 Delay - \overline{ADS} to \overline{RAS} - Data Setup
 = $2\frac{1}{2} T_{cp16}$ - T_{phl} - \$402 - #27
 = 150 ns - 9 ns - 25 ns - 10 ns

= 106 ns @ 16.667 MHz Using 8420-25 w/Light Load

2 wait states * uses 4 banks with transceivers *

t_{RAC} = s_4 + sw + sw + sw + sw + s_5 + s_6
 - 74AS74 Delay - \overline{ADS} to \overline{RAS}
 - Data Setup - Transceivers
 = $3\frac{1}{2} T_{cp16}$ - T_{phl} - \$402
 - #27 - T_{phl}
 = 210 ns - 9 ns - 29 ns
 - 10 ns - 7 ns

= 155 ns @ 16.667 MHz

1 wait state * using 1 BANK with no transceivers

$$\begin{aligned}
 tCAC &= s4 + sw + sw + s5 + s6 \\
 &\quad - 74AS74 \text{ Delay} - \overline{ADS} \text{ to } \overline{CAS} \\
 &\quad - \text{Data Setup} \\
 &= 2\frac{1}{2} \text{ Tcp16} - \text{Tphl} - \$403a - \#27 \\
 &= 150 \text{ ns} - 9 \text{ ns} - 75 \text{ ns} - 10 \text{ ns} \\
 &= \boxed{56 \text{ ns @ 16 MHz}}
 \end{aligned}$$

2 wait states * using 4 banks with transceivers *

$$\begin{aligned}
 tCAC &= s4 + sw + sw + sw + sw + s5 + s6 \\
 &\quad - 74AS74 \text{ Delay} - \overline{ADS} \text{ to } \overline{CAS} \\
 &\quad - \text{Data Setup} - \text{Transceiver} \\
 &= 3\frac{1}{2} \text{ Tcp16} - \text{Tphl} - \$403a \\
 &\quad - \#27 - \text{Tphl} \\
 &= 210 \text{ ns} - 9 \text{ ns} - 82 \text{ ns} \\
 &\quad - 10 \text{ ns} - 7 \text{ ns} \\
 &= \boxed{102 \text{ ns @ 16 MHz}}
 \end{aligned}$$

Design #3 Programming Bits

Bits	Description	Value
R0, R1	\overline{RAS} Low Time = 2T \overline{RAS} Precharge Time = 2T	R0 = 0 R1 = 1
R2, R3	\overline{DTACK} Generation Modes for Non-Burst Accesses	R2 = 1 R3 = 0
R4, R5	\overline{DTACK} Generation Modes for Burst Accesses	R4 = u R5 = u
R6	Add Wait States with \overline{WAITIN}	R6 = u
R7	\overline{DTACK} Mode Select	R7 = 1
R8	Non Interleaved Mode	R8 = 1
R9	Staggered or All RAS REFRESH	R9 = u
C0, C1, C2	Divisor for DELCLK (+ 8 for 16 MHz)	C0 = 0 C1 = 1 C2 = 0
C3	+ 30 REFRESH	C3 = 0
C4, C5, C6	\overline{RAS} , \overline{CAS} Configuration Mode *Choose All \overline{CAS} Mode	C4 = u C5 = u C6 = u
C7	Select 15 ns Column Address Setup	C7 = 1
C8	Select 15 ns Row Address Setup	C8 = 1
C9	CAS is Delayed to the Next Rising CLK Edge During Writes	C9 = 1
B0	The Row/Column Bank Latches Are Fall Through Mode	B0 = 1
B1	Access Mode 1	B1 = 1
$\overline{ECAS0}$	\overline{CAS} Not Extended Beyond \overline{RAS}	$\overline{ECAS0}$ = 0

u = user defined

*see previous page for 0 WAIT STATES during writes

Because the 68450 samples \overline{DTACK} on a positive edge of CLK and the 68000 samples \overline{DTACK} on the negative edge, additional circuitry must be added to produce the two \overline{DTACK} signals. The \overline{DTACK} s must be produced different to ensure \overline{RAS} low time after an access delayed by a refresh. The programming bits must also be changed as follows:

For 0 WAITSTATES

R2 = 0 R3 = 1 FOR /DTACK OF 1/2

For 1 WAITSTATE

R2 = 0 R3 = 1 R6 = 0 FOR /DTACK OF 1 1/2

Tie the DP8420 signal \overline{WAITIN} low for 1 waitstate and high for 0 waitstates. All timing except for the following should still apply. Times with a “#” refer to the 68000 data sheet. Times with a “!” refer to the 68450 data sheet and times with a “\$” refer to the DP8420A/21A/22A data sheet.

\$47:

\overline{DTACK} Setup Time

$$= \frac{1}{2} \text{ CLOCK Period} - 74AS74 \text{ CLOCK to Q} - 74AS32$$

$$= \frac{1}{2} T_{cp10} - T_{phl} - T_{phl}$$

$$= 50 \text{ ns} - 9 \text{ ns} - 6 \text{ ns}$$

= 35 ns @ 10 MHz

$$= \frac{1}{2} T_{cp8} - T_{phl} - T_{phl}$$

$$= 62.5 \text{ ns} - 9 \text{ ns} - 6 \text{ ns}$$

= 47 ns @ 8 MHz

!6:

\overline{DTACK} Setup Time (68450)

$$= \frac{1}{2} \text{ CLOCK Period} - \text{CLOCK to } \overline{DTACK}$$

$$= \frac{1}{2} T_{cp10} - \$18$$

$$= 50 \text{ ns} - 28 \text{ ns}$$

= 22 ns @ 10 MHz

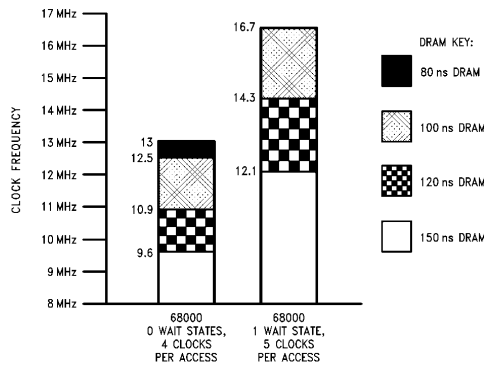
$$= \frac{1}{2} T_{cp8} - \$18$$

$$= 62.5 \text{ ns} - 33 \text{ ns}$$

= 29 ns @ 8 MHz

All other 68450 times are the same as the 68000.

**DRAM Speed Versus Processor Speed,
(DRAM Speed References the RAS Access Time, t_{RAC}, of the DRAM.
Using DP8422A-25 Timing Specifications)**



TL/F/9732-9

Lit. # 100538

LIFE SUPPORT POLICY

NATIONAL'S PRODUCTS ARE NOT AUTHORIZED FOR USE AS CRITICAL COMPONENTS IN LIFE SUPPORT DEVICES OR SYSTEMS WITHOUT THE EXPRESS WRITTEN APPROVAL OF THE PRESIDENT OF NATIONAL SEMICONDUCTOR CORPORATION. As used herein:

- Life support devices or systems are devices or systems which, (a) are intended for surgical implant into the body, or (b) support or sustain life, and whose failure to perform, when properly used in accordance with instructions for use provided in the labeling, can be reasonably expected to result in a significant injury to the user.
- A critical component is any component of a life support device or system whose failure to perform can be reasonably expected to cause the failure of the life support device or system, or to affect its safety or effectiveness.



National Semiconductor Corporation
1111 West Bardin Road
Arlington, TX 76017
Tel: (800) 272-9959
Fax: (800) 737-7018

National Semiconductor Europe
Fax: (+49) 0-180-530 85 86
Email: cnjwge@tevm2.nsc.com
Deutsch Tel: (+49) 0-180-530 85 85
English Tel: (+49) 0-180-532 78 32
Français Tel: (+49) 0-180-532 93 58
Italiano Tel: (+49) 0-180-534 16 80

National Semiconductor Hong Kong Ltd.
19th Floor, Straight Block,
Ocean Centre, 5 Canton Rd.
Tsimshatsui, Kowloon
Hong Kong
Tel: (852) 2737-1600
Fax: (852) 2736-9960

National Semiconductor Japan Ltd.
Tel: 81-043-299-2309
Fax: 81-043-299-2408

National does not assume any responsibility for use of any circuitry described, no circuit patent licenses are implied and National reserves the right at any time without notice to change said circuitry and specifications.